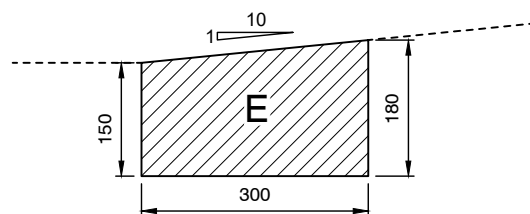
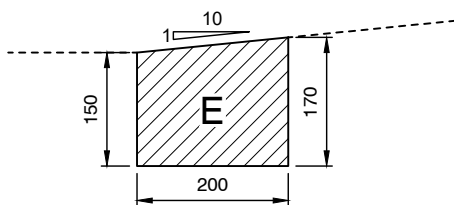
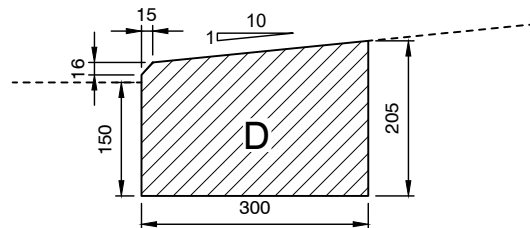
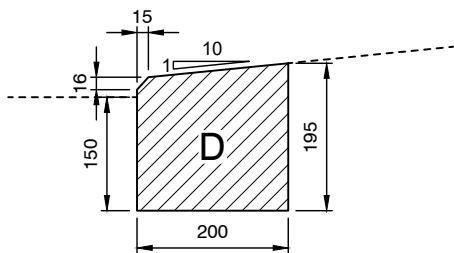
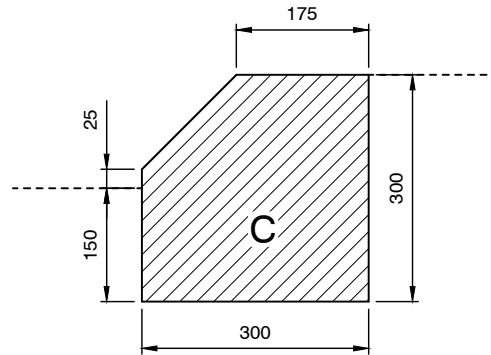
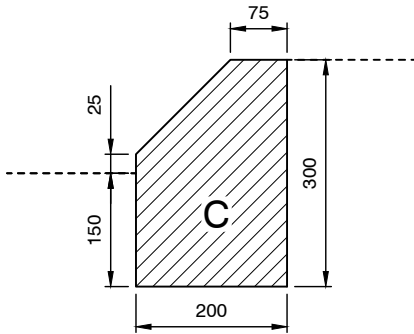
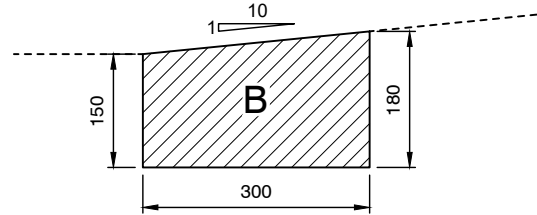
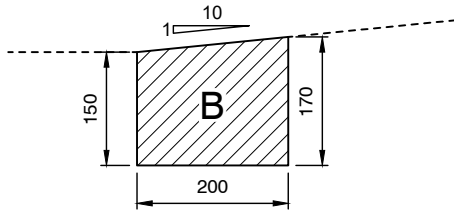
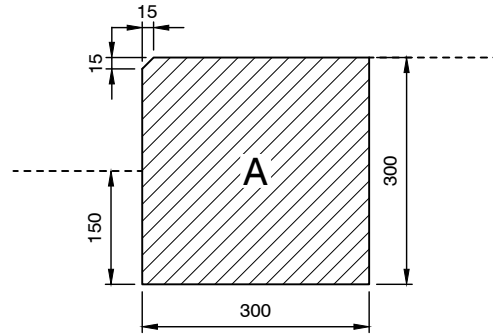
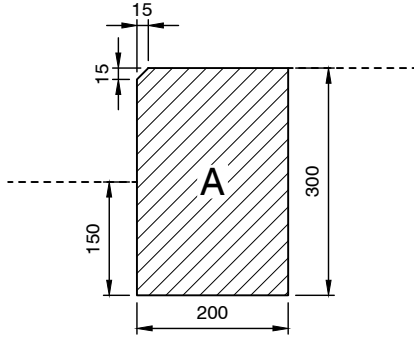


**200mm WIDE KERB**

**300mm WIDE KERB**



**NOTES:**

1. FOR SANDSTONE KERBS, A 25mm BULL NOSE ARRIS IS REQUIRED INSTEAD OF CHAMFERED CORNER.
2. ALL CORNERS TO HAVE 1mm ARRIS.

SECTION 1:10

NOTE: ALL DIMENSIONS IN MILLIMETRES UNLESS OTHERWISE STATED