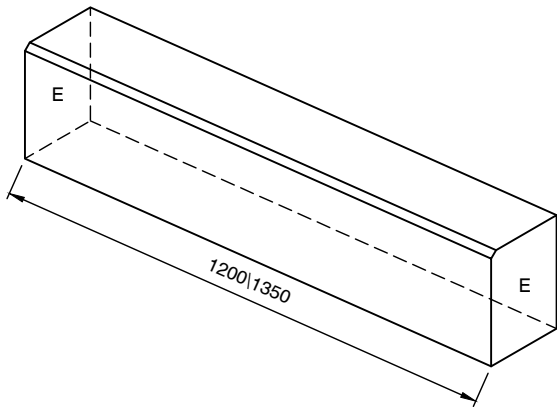


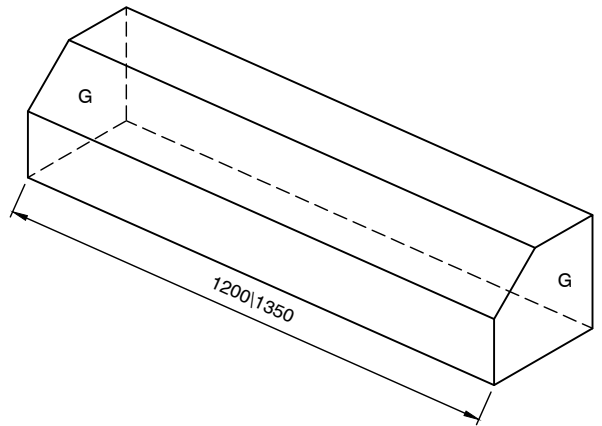
BARRIER KERB



KERB PROFILE:

- TYPE K(F) - FULL HEIGHT
- TYPE K(FR) - FULL HEIGHT/TO KERB RADIUS (SIMILAR)

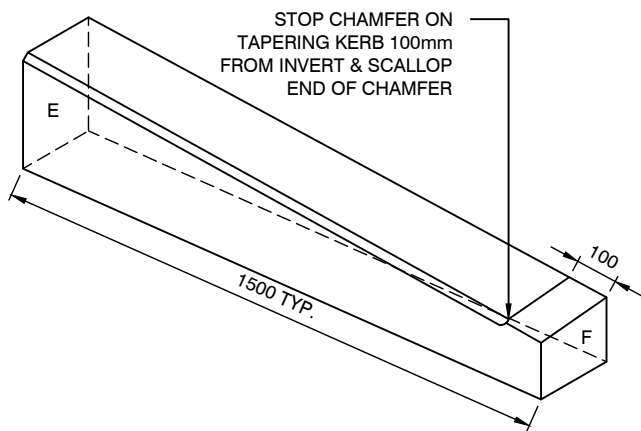
MOUNTABLE KERB



KERB PROFILE:

- TYPE MK(F) - FULL HEIGHT (SHOWN)
- TYPE MK(FR) - FULL HEIGHT ON KERB RADIUS (SIMILAR)

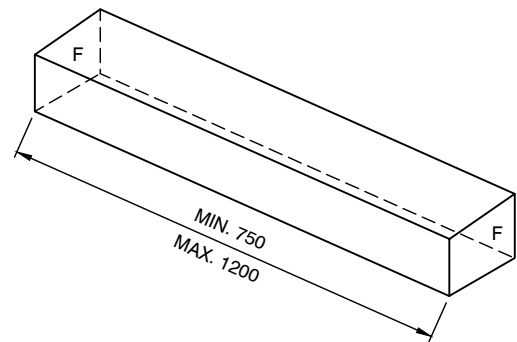
KERB RAMP WINGS



KERB PROFILE:

- TYPE K(KRF) - PEDESTRIAN CHAMFERED TO FALL
- TYPE K(KRFR) - PEDESTRIAN CHAMFERED TO FALL/TO KERB RADIUS (SIMILAR)

KERB RAMP



KERB PROFILE:

- TYPE K(KR) - PEDESTRIAN CROSSOVER TYPE
- TYPE K(KRR) - PEDESTRIAN CROSSOVER TYPE/TO KERB RADIUS (SIMILAR)

NOTES

1. FOR KERB RADII OF LESS THAN 7.5m, STONE TO BE CUT TO MATCH ALIGNMENT. USE RADII OF EITHER 3m, 6m OR 7.5m WHERE POSSIBLE.

SCALE 1:20

NOTE: ALL DIMENSIONS IN MILLIMETRES UNLESS OTHERWISE STATED