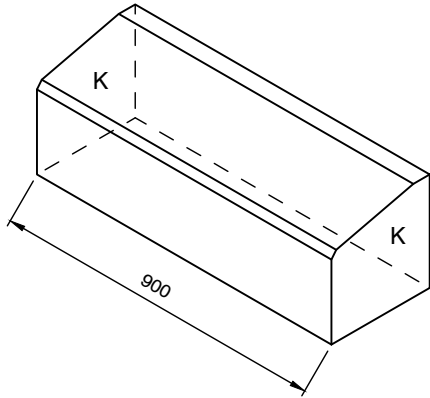
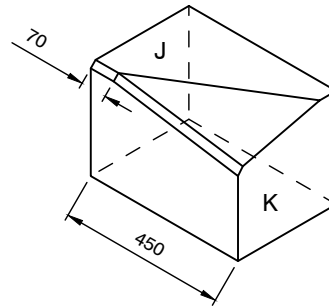


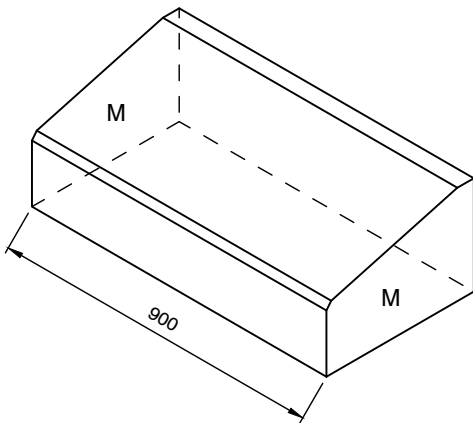
LAYBACK KERB 01 TO CYCLEWAY/
EMERGENCY VEHICLE (LK1VC)



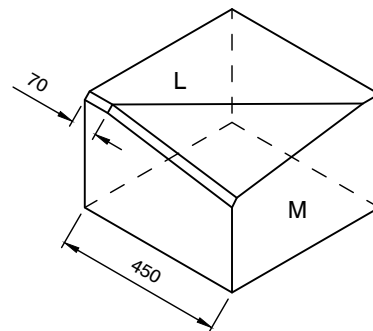
LAYBACK KERB 01 TO CYCLEWAY
TRANSITION (LK1VCT)



LAYBACK KERB 02 TO CYCLEWAY/
EMERGENCY VEHICLE (LK2VC)



LAYBACK KERB 02 TO CYCLEWAY
TRANSITION (LK2VCT)



NOTES:

1. TOP TO HAVE EXFOLIATED FINISH.
2. VERTICAL EDGES TO HAVE SAWN FINISH.

SCALE 1:20

NOTE: ALL DIMENSIONS IN MILLIMETRES UNLESS OTHERWISE STATED