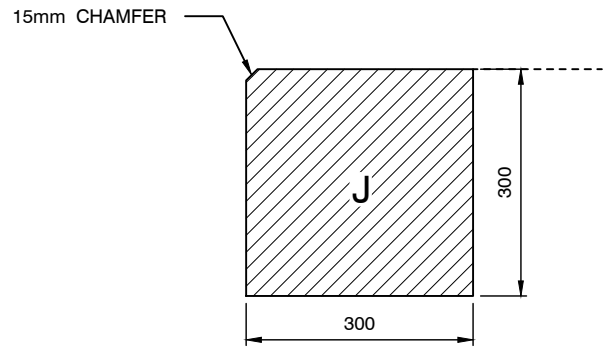
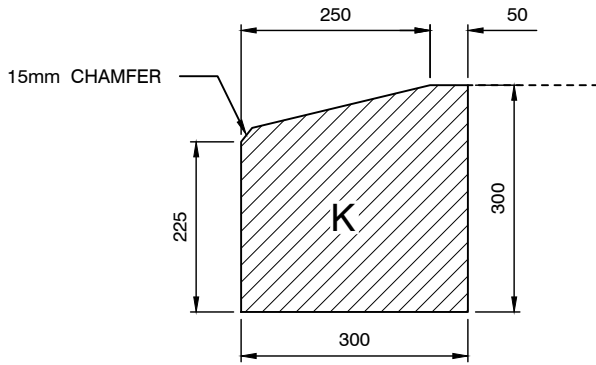
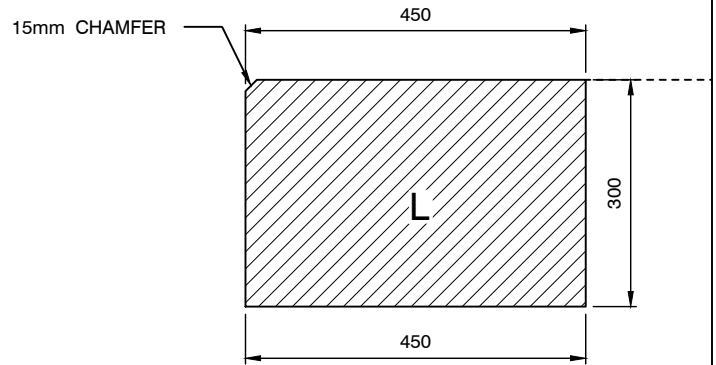
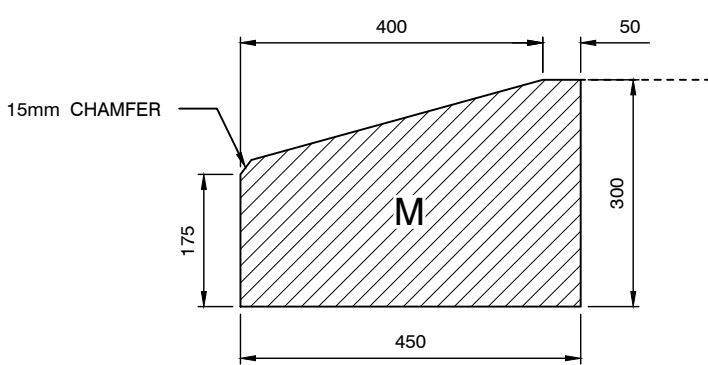


LAYBACK KERB 01 TO CYCLEWAY : LK1VC



LAYBACK KERB TO CYCLEWAY 02: LK2VC



SECTION 1:10

NOTE: ALL DIMENSIONS IN MILLIMETRES UNLESS OTHERWISE STATED