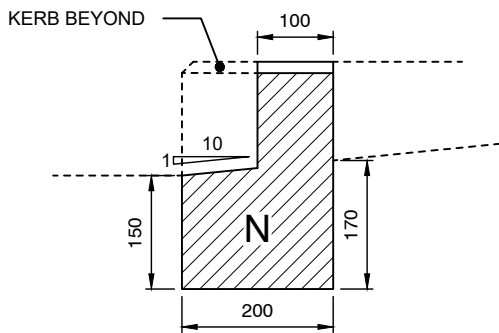
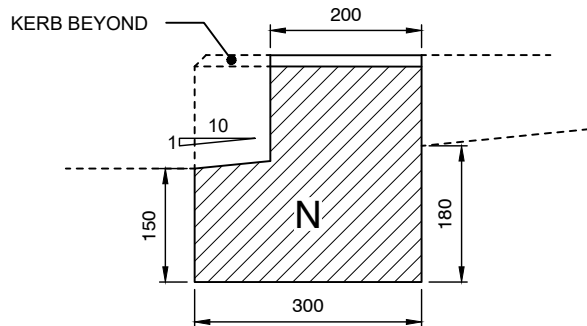


SECTION 1:20

200mm WIDE KERB



300mm WIDE KERB



NOTES:

1. FOR SANDSTONE KERBS, A 25mm BULL NOSE ARRIS IS REQUIRED INSTEAD OF CHAMFERED CORNER.
2. ALL CORNERS TO HAVE 1mm ARRIS.

SECTION 1:10

NOTE: ALL DIMENSIONS IN MILLIMETRES UNLESS OTHERWISE STATED