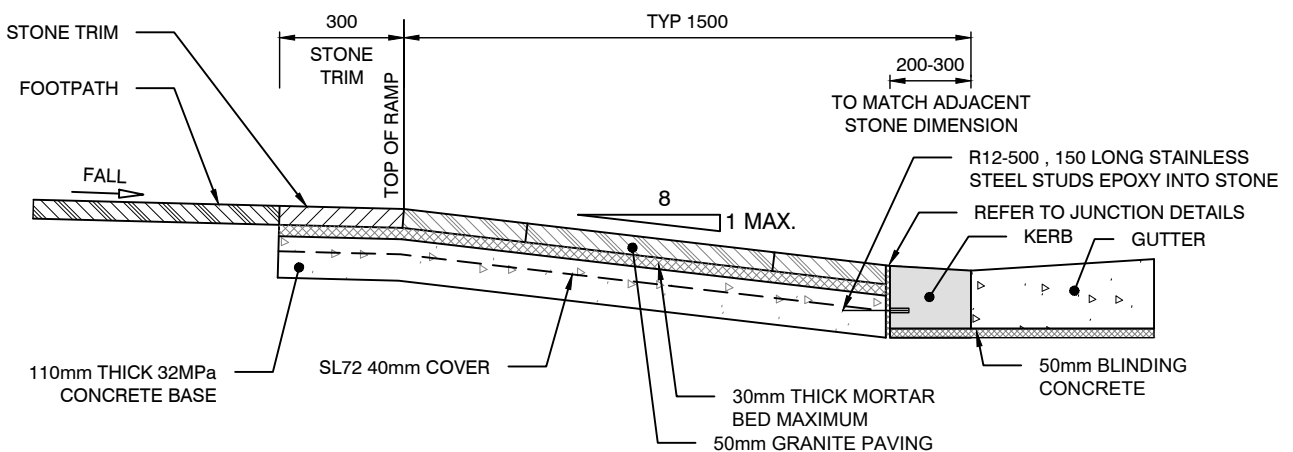


NOTE: 750mm MIN. WHERE RESTRICTED BY SITE CONDITION (TO AUTHORITY APPROVAL)

PLAN 1:50



NOTE:

1. ONLY TO BE USED IN COUNCIL APPROVED LOCATIONS.

SECTION 1:20

NOTE: ALL DIMENSIONS IN MILLIMETRES UNLESS OTHERWISE STATED