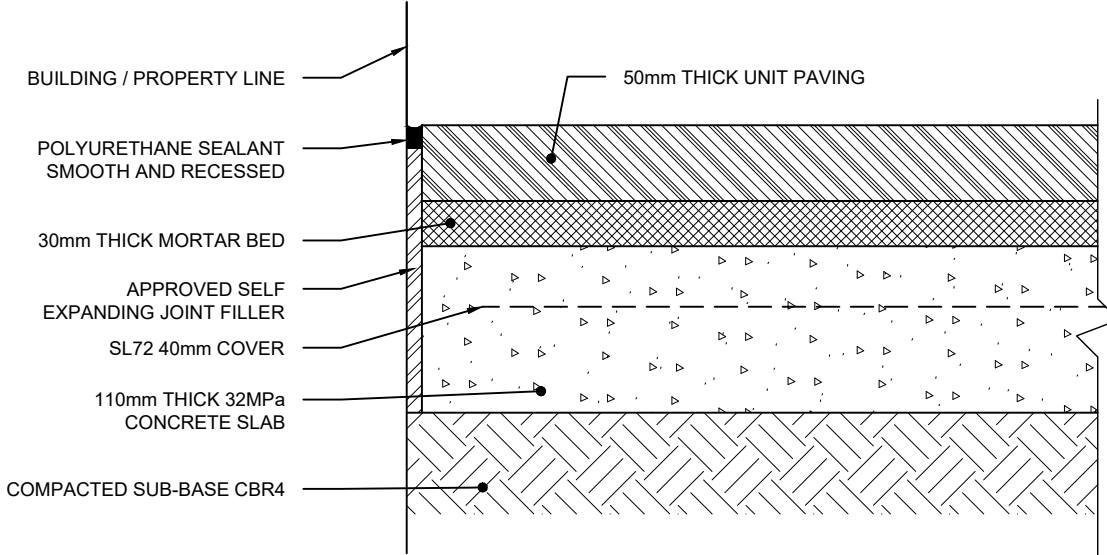
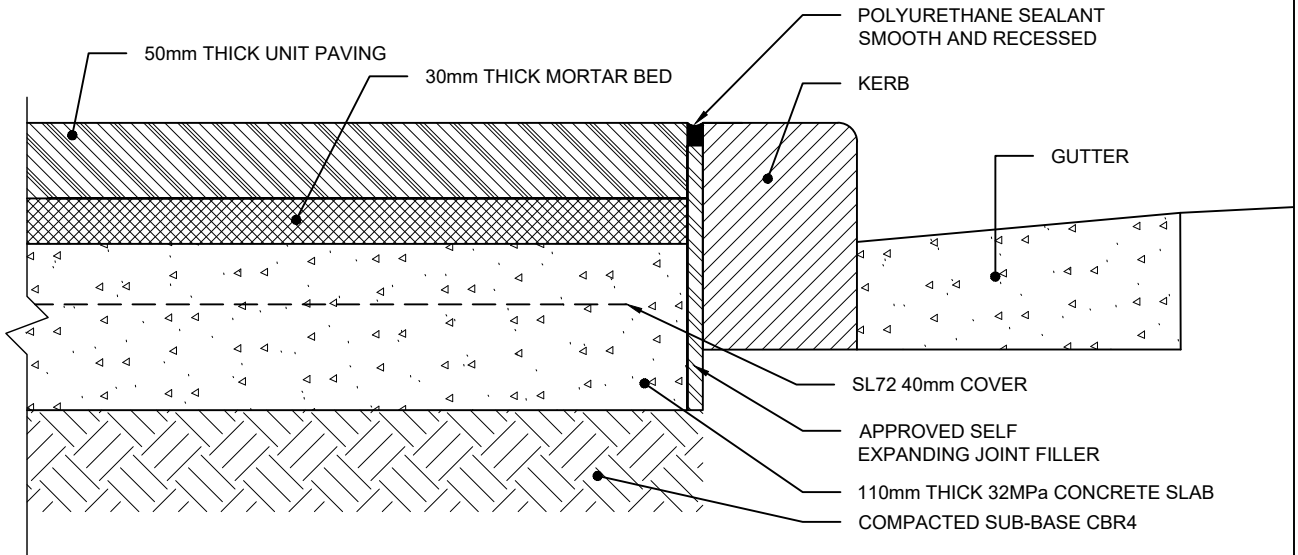


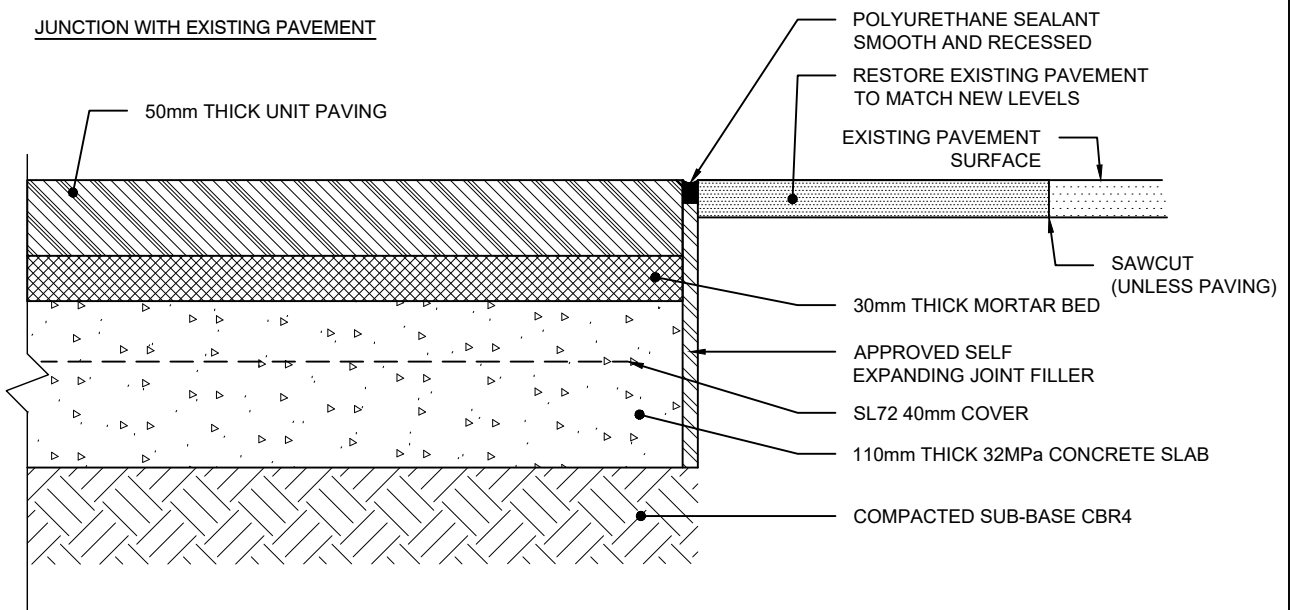
**JUNCTION WITH BUILDING**



**JUNCTION WITH BACK OF KERB**



**JUNCTION WITH EXISTING PAVEMENT**



SECTION 1:5

NOTE: ALL DIMENSIONS IN MILLIMETRES UNLESS OTHERWISE STATED