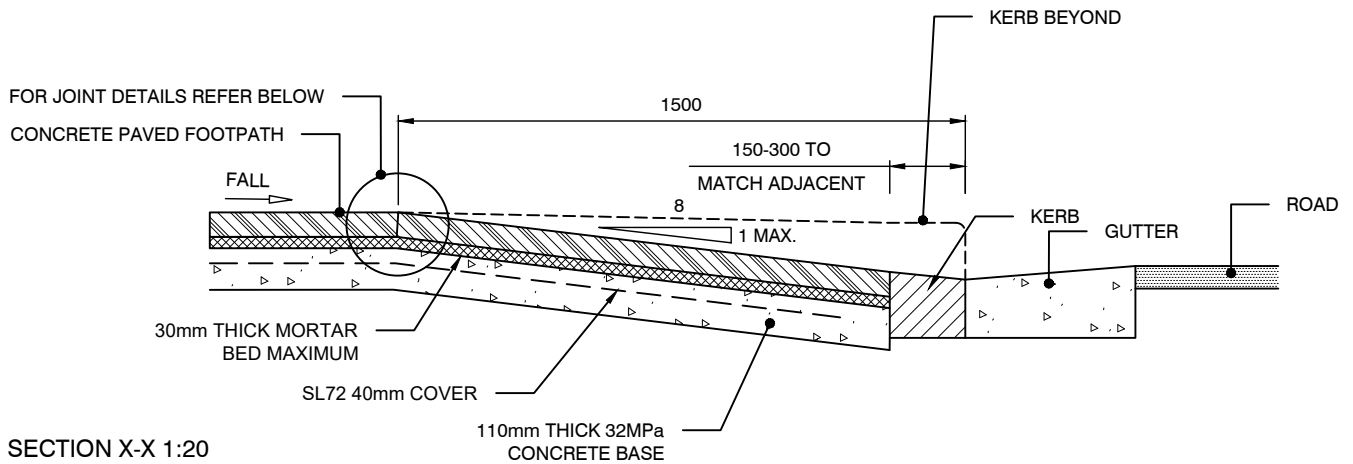
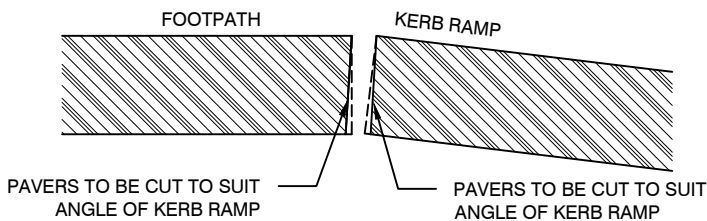


PLAN 1:20



SECTION X-X 1:20



DETAIL 1:5

NOTE: ALL DIMENSIONS IN MILLIMETRES UNLESS OTHERWISE STATED