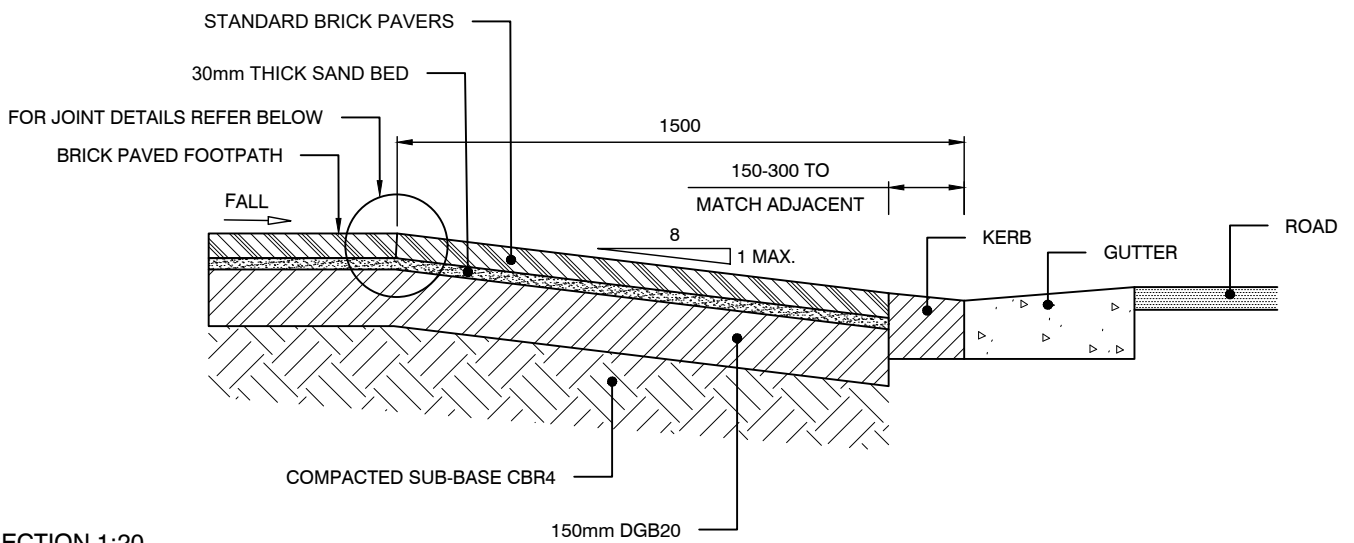
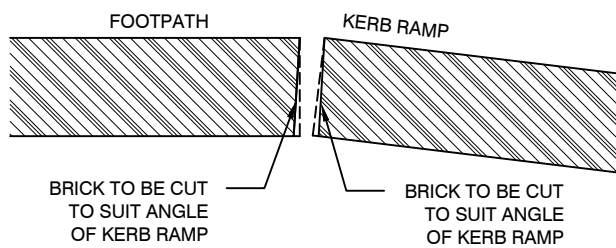


PLAN 1:50



SECTION 1:20



DETAIL 1:5

NOTE: ALL DIMENSIONS IN MILLIMETRES UNLESS OTHERWISE STATED