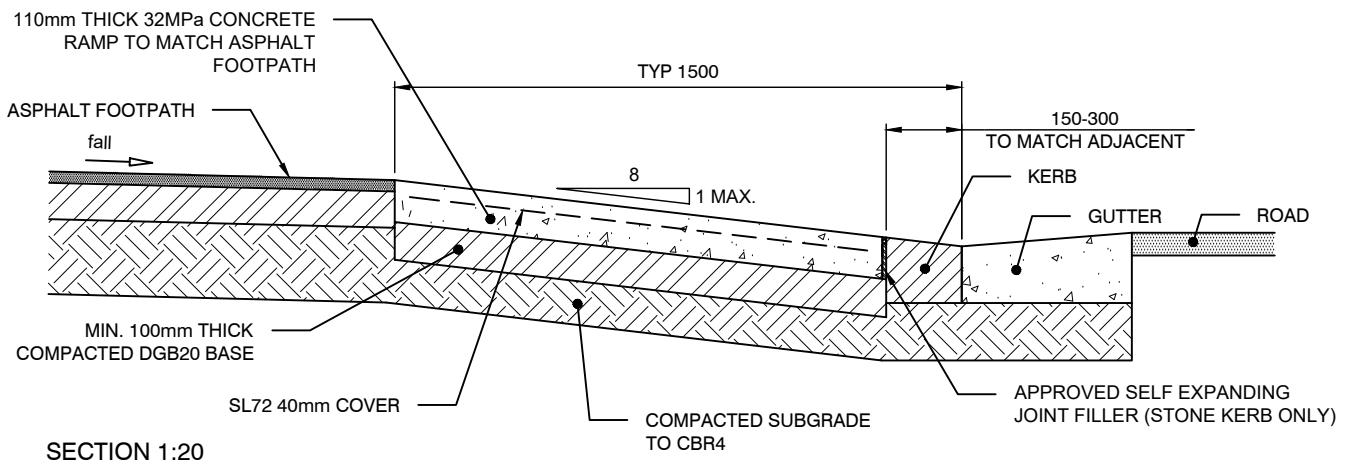


PLAN 1:50



NOTE: ALL DIMENSIONS IN MILLIMETRES UNLESS OTHERWISE STATED