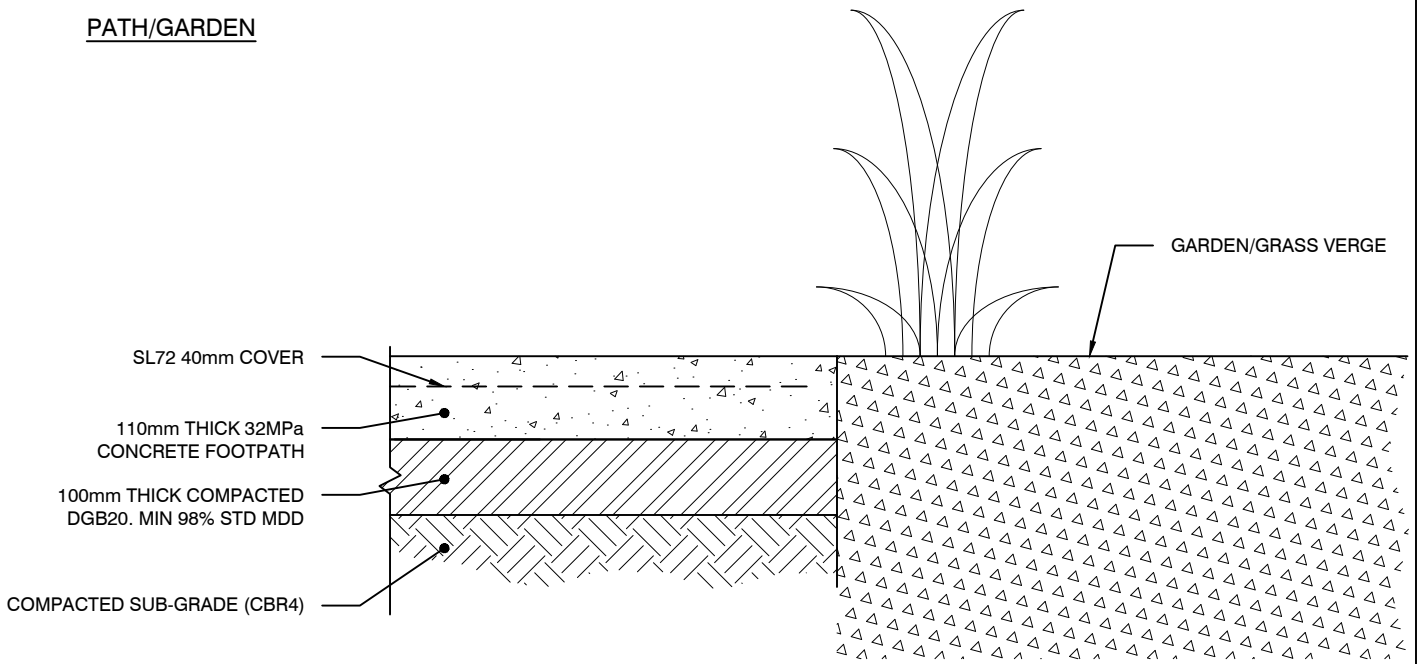
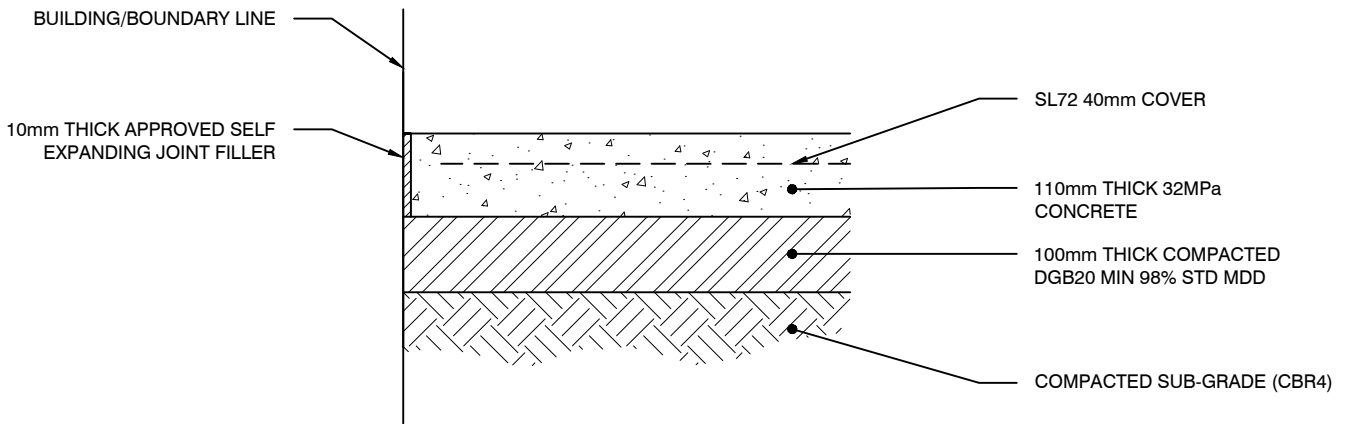


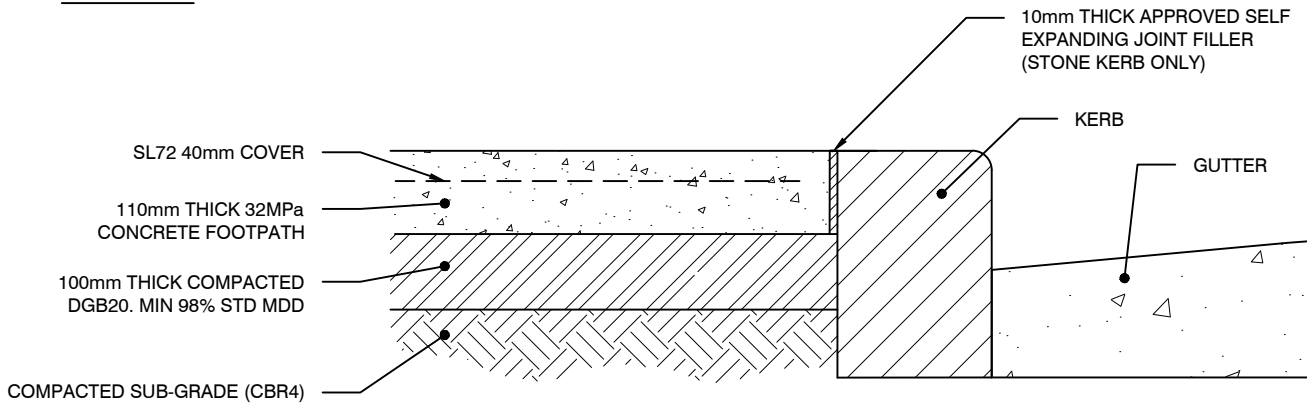
PATH/GARDEN



PATH/BUILDING LINE



PATH/KERB



SECTION 1:10

NOTE: ALL DIMENSIONS IN MILLIMETRES UNLESS OTHERWISE STATED