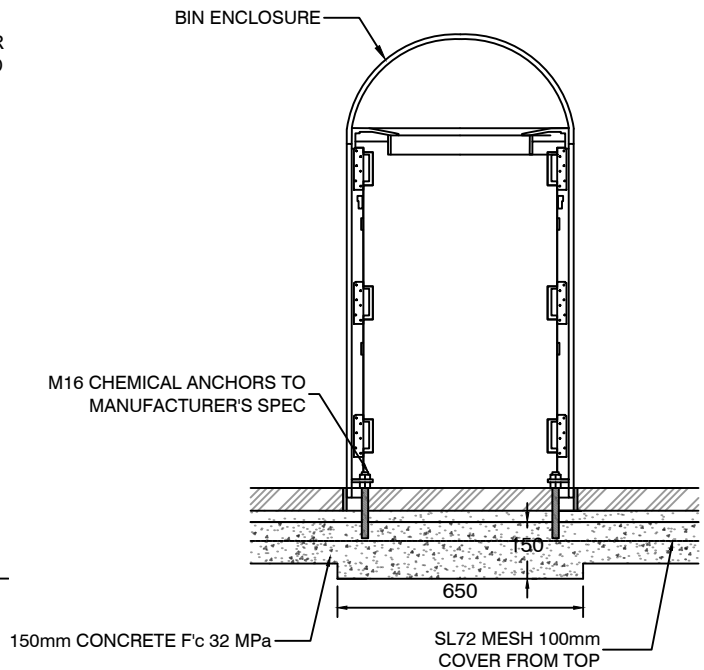
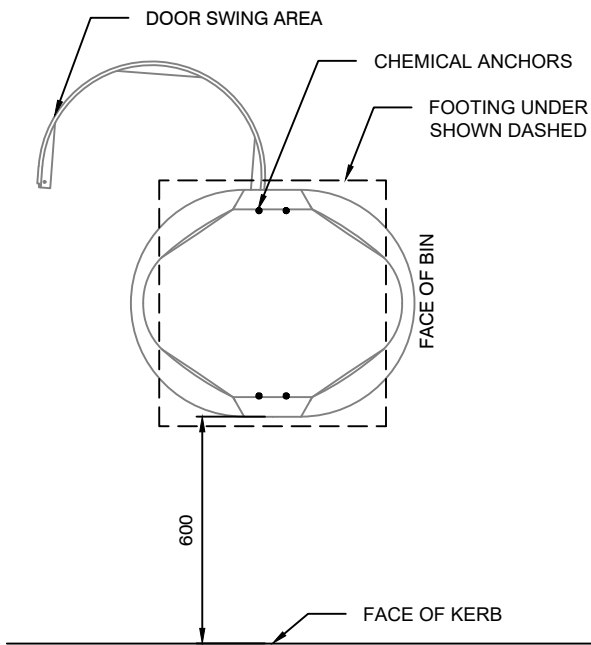


VIEWS
1:20



PLAN
1:20

SECTION
1:20

NOTE: ALL DIMENSIONS IN MILLIMETRES UNLESS OTHERWISE STATED