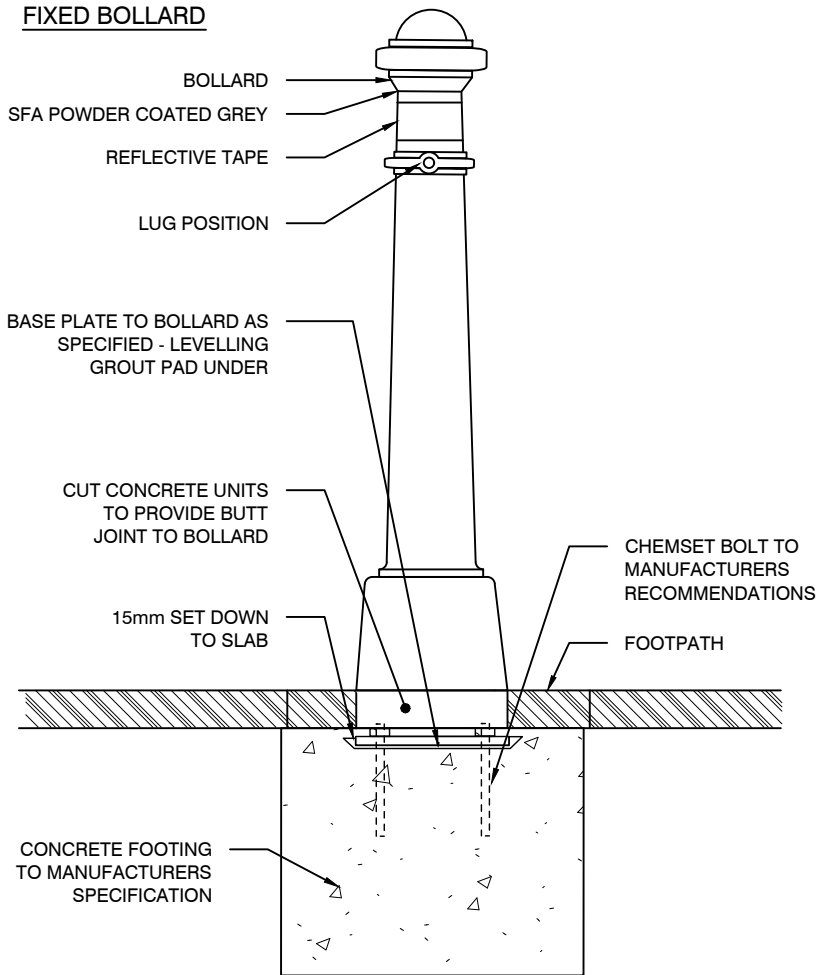
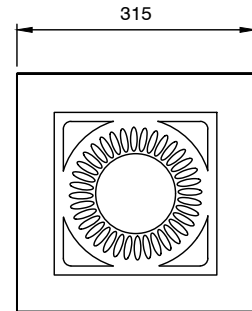


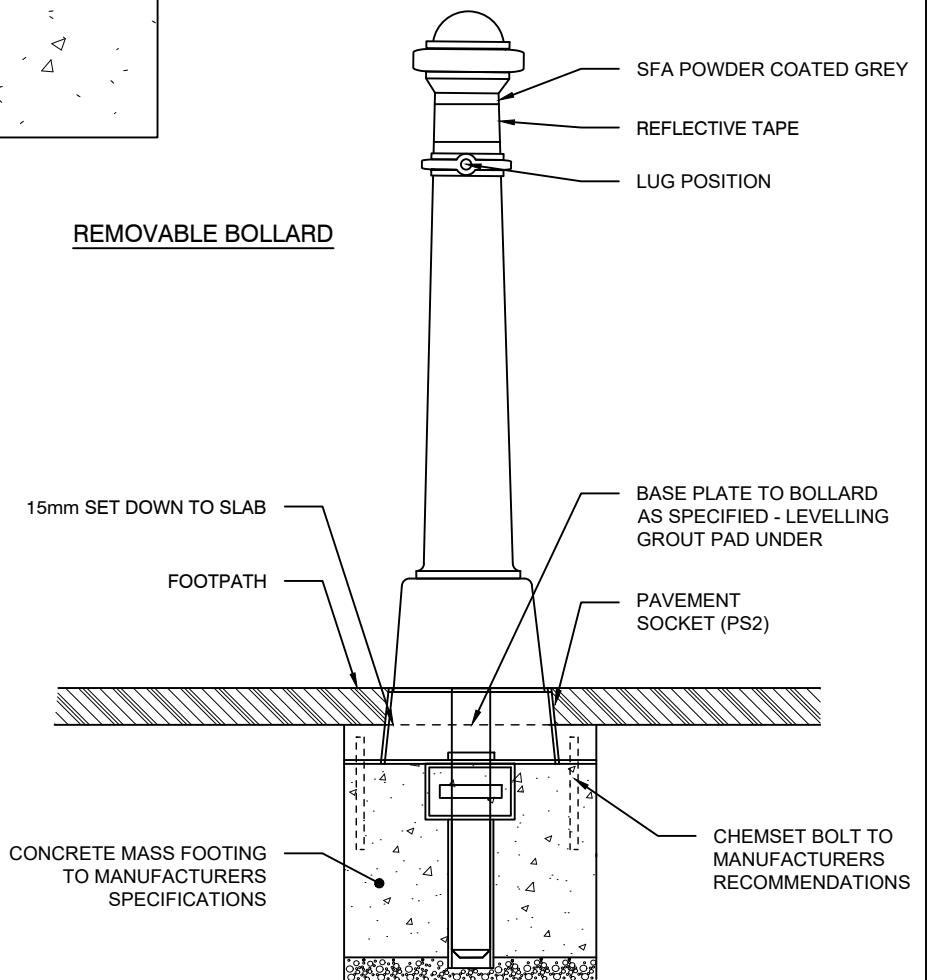
FIXED BOLLARD



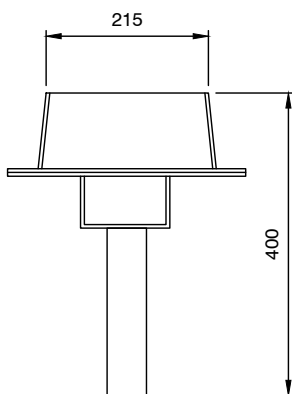
PAVEMENT SOCKET PLAN



REMOVABLE BOLLARD



PAVEMENT SOCKET ELEVATION



SCALE 1:10

NOTE: ALL DIMENSIONS IN MILLIMETRES UNLESS OTHERWISE STATED