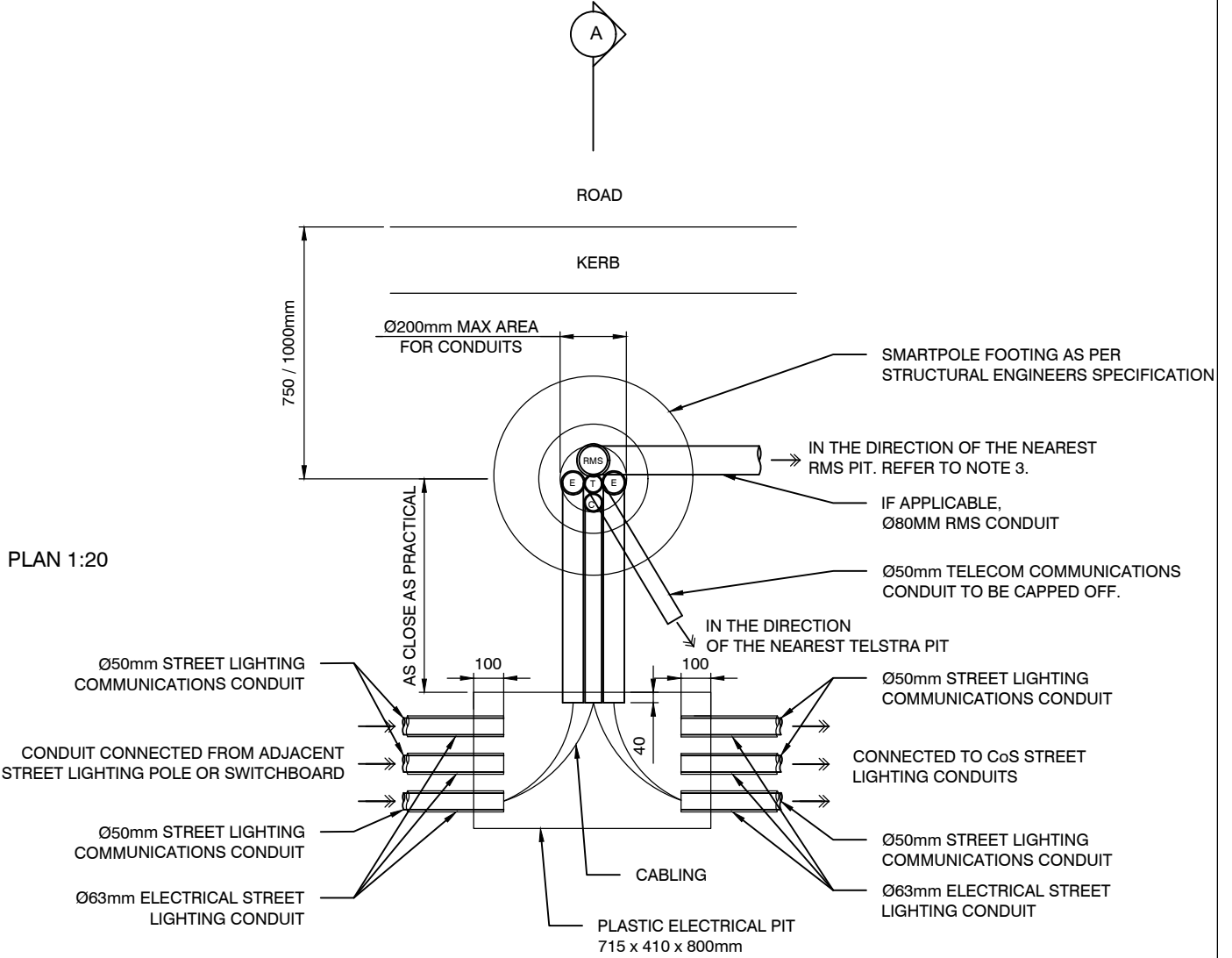
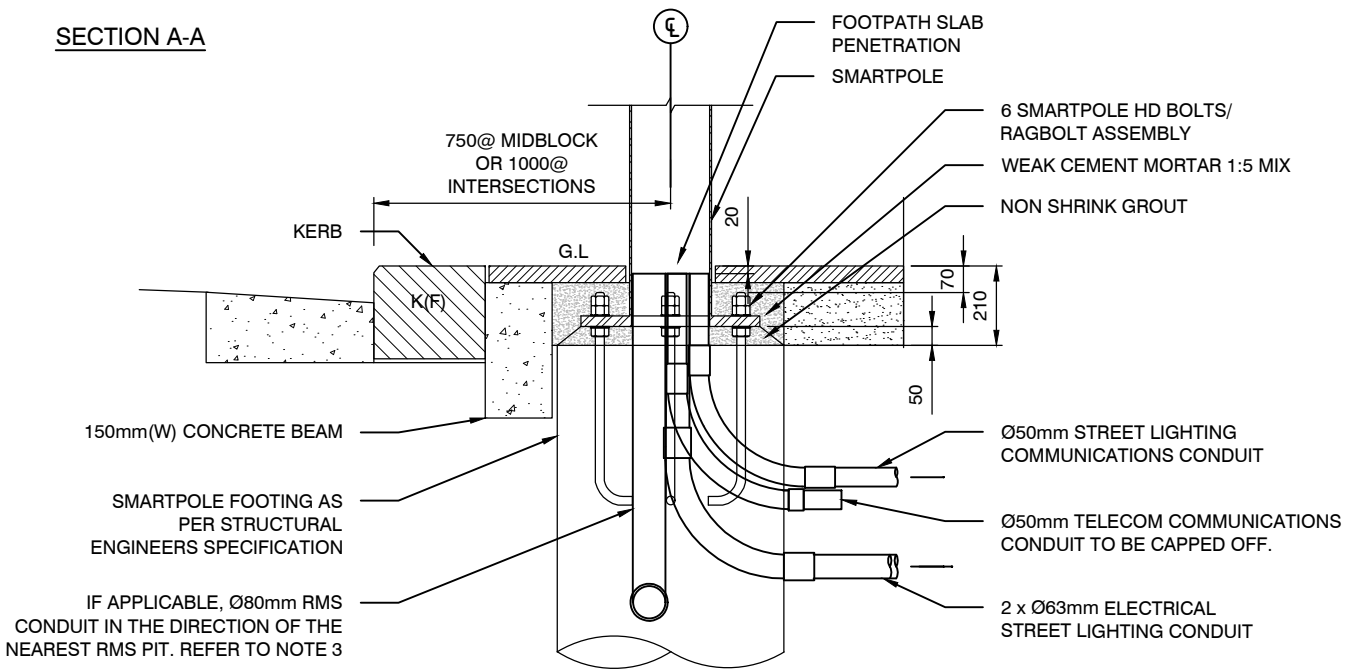


CONDUIT ARRANGEMENTS AT POLE BASE



SECTION A-A



SECTION 1:20

NOTE: ALL DIMENSIONS IN MILLIMETRES UNLESS OTHERWISE STATED